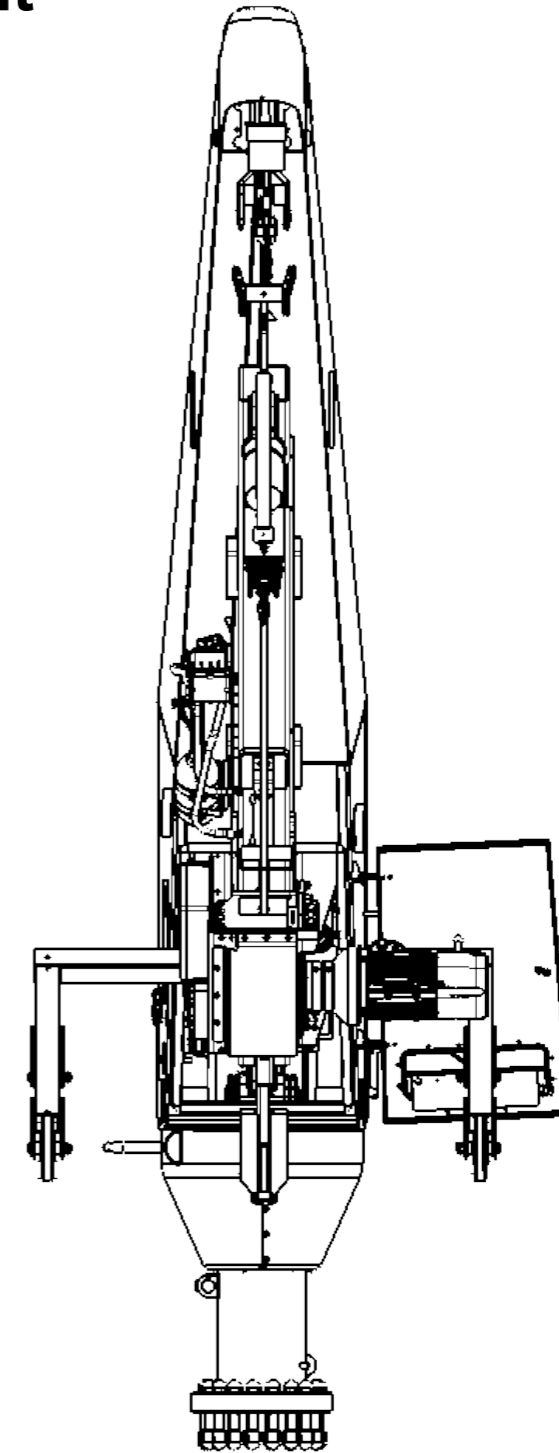
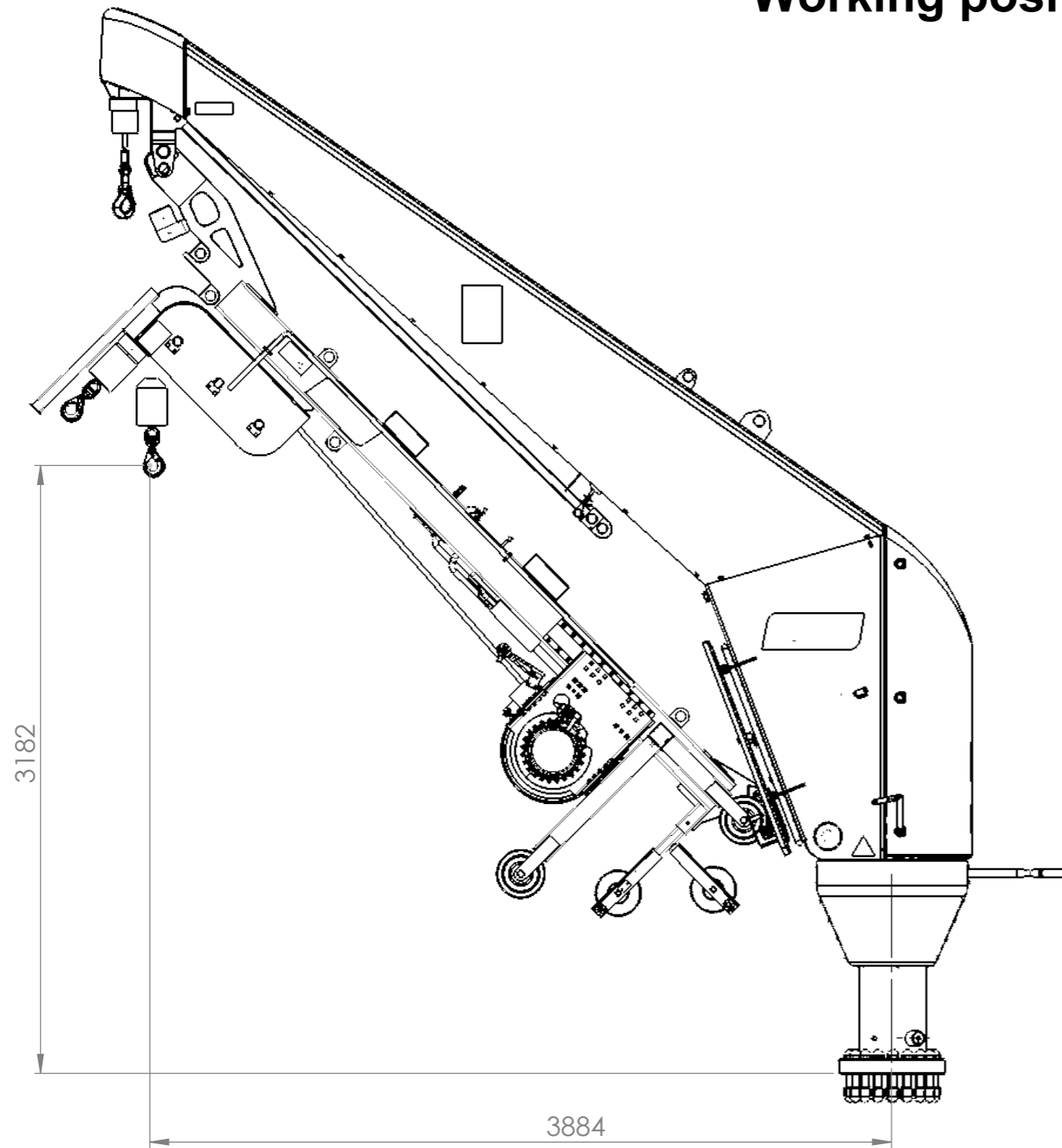


GA. Drawing  
Working position with lifting unit



Weight: 3150 kg

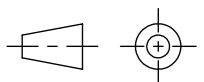
THE INFORMATION CONTAINED IN THIS DRAWING IS THE SOLE PROPERTY OF SEASIGHT-Davits. ANY REPRODUCTION IN PART OR AS A WHOLE WITHOUT THE WRITTEN PERMISSION OF SEASIGHT-Davits IS PROHIBITED.

Designer: CAPE  
Date: 2021-09-17  
Ver.no: 02



Beddingsvej 2  
DK - 6960 Hvide Sande  
www.seasight-davits.com

Scale: 1:30



Description: Titan and Scorpion

Part no: Titan 4,0-10

Page: 3