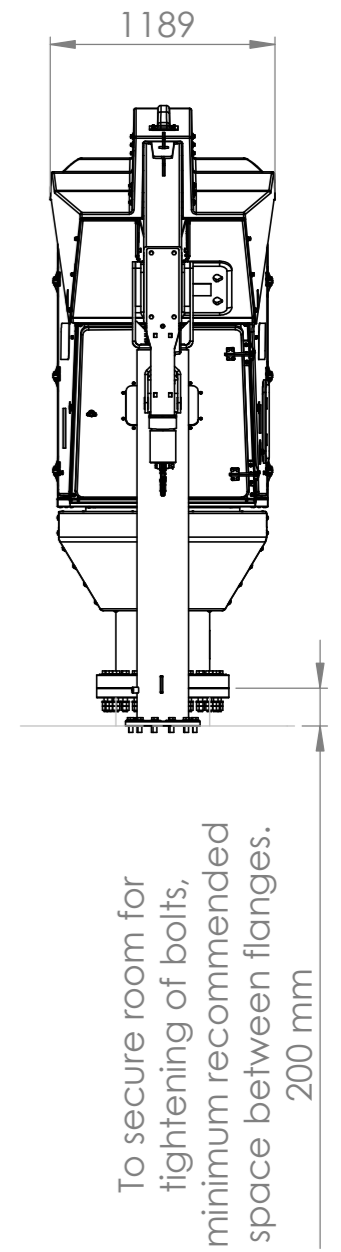
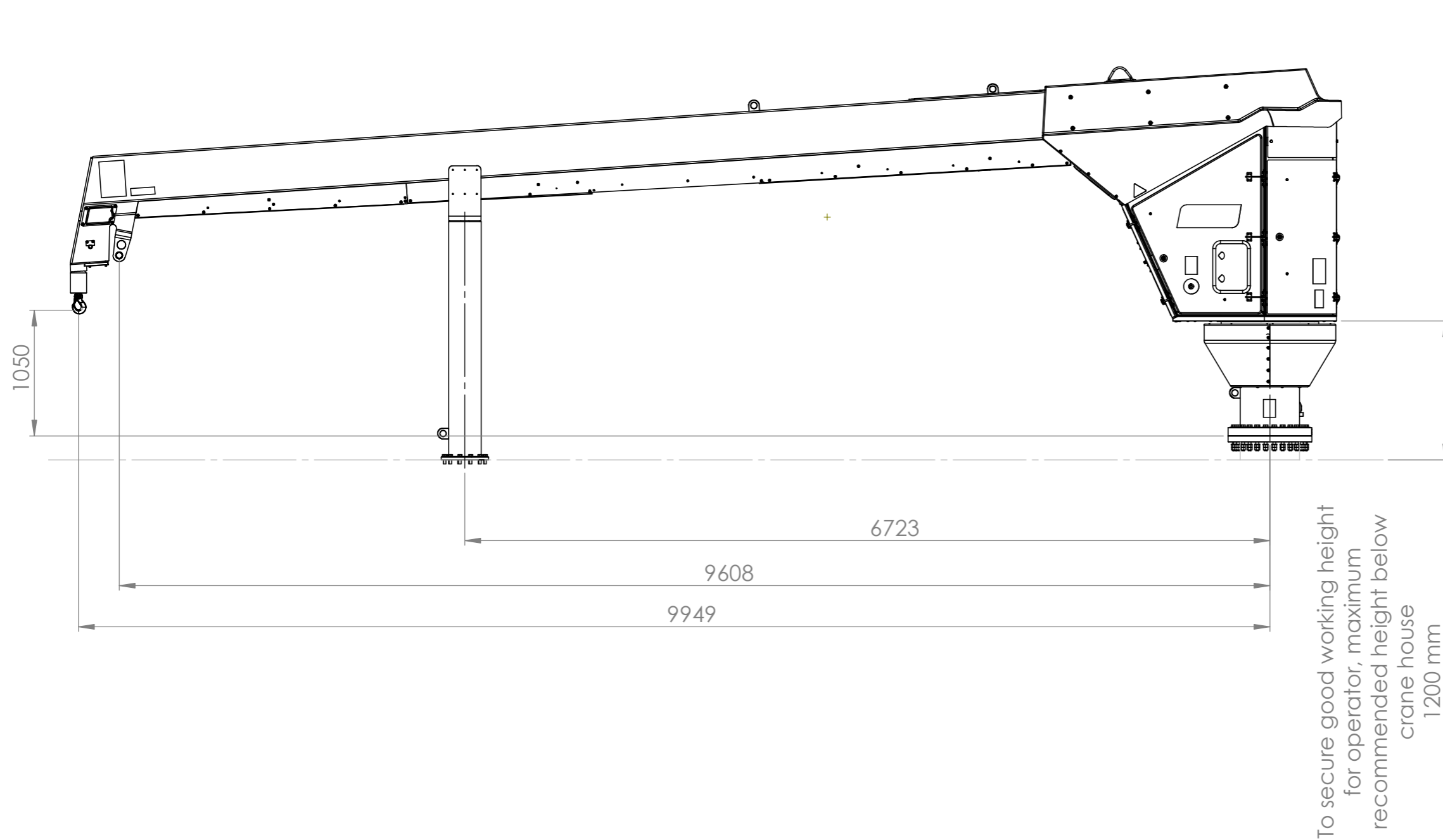


GA. Drawing Stored position



THE INFORMATION CONTAINED IN THIS DRAWING IS THE SOLE PROPERTY OF SEASIGHT-Davit. ANY REPRODUCTION IN PART OR AS A WHOLE WITHOUT THE WRITTEN PERMISSION OF SEASIGHT-Davit IS PROHIBITED.

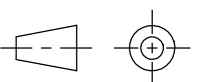
Designer:	SIFA
Date:	2024-05-02
Version no:	00
Description:	Hercules 10,0-10



Frejasvej 4
DK - 6950 Ringkøbing
www.seasight-davits.com

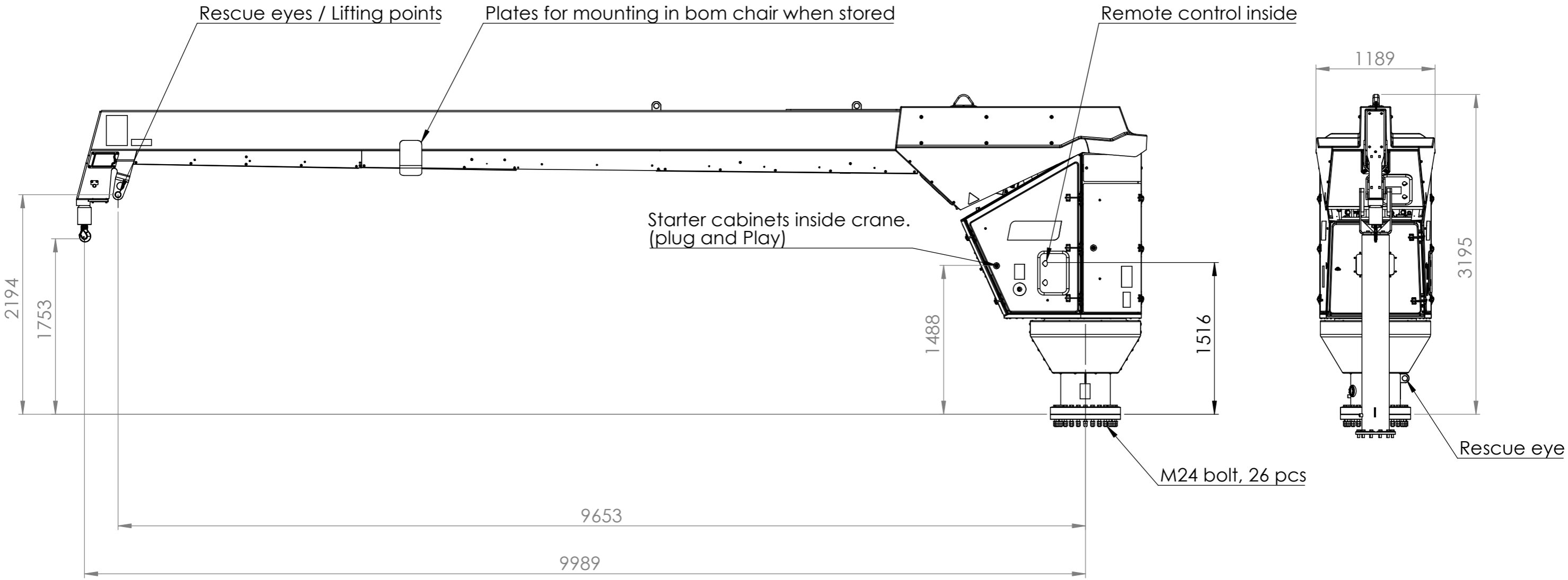
Part no: 9300001001

Scale: 1:40



Page: 1 of 5

GA. Drawing Lower working position



THE INFORMATION CONTAINED IN THIS DRAWING IS THE SOLE PROPERTY OF SEASIGHT-Davit. ANY REPRODUCTION IN PART OR AS A WHOLE WITHOUT THE WRITTEN PERMISSION OF SEASIGHT-Davit IS PROHIBITED.

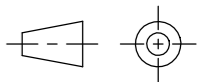
Designer:	SIFA
Date:	2024-05-02
Version no:	00
Description:	Hercules 10,0-10



Frejasvej 4
DK - 6950 Ringkøbing
www.seasight-davits.com

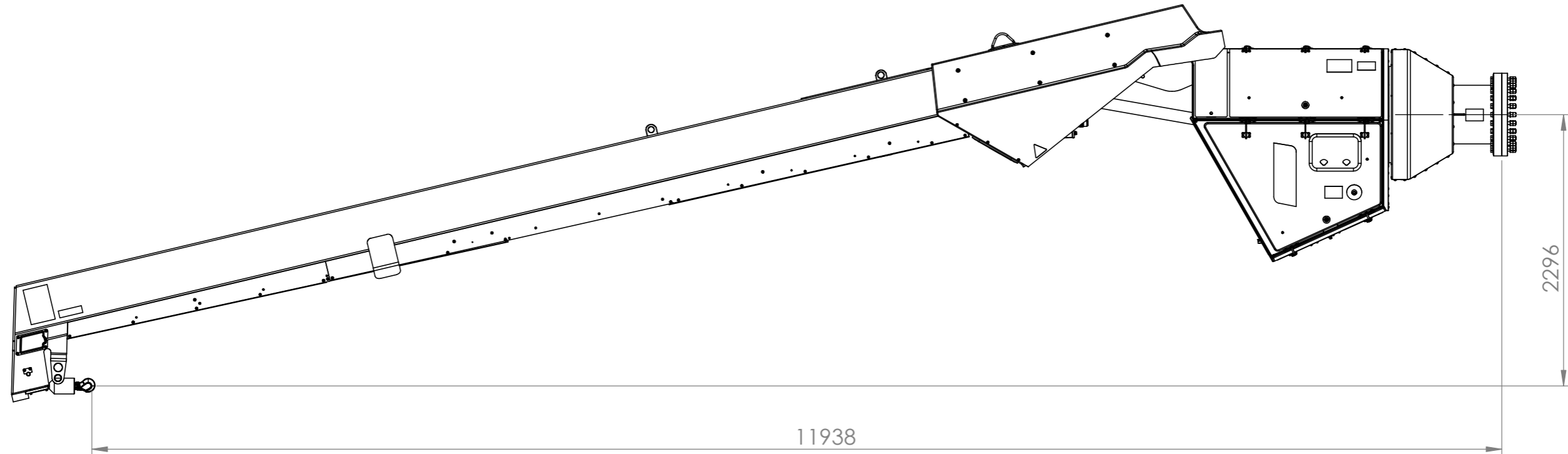
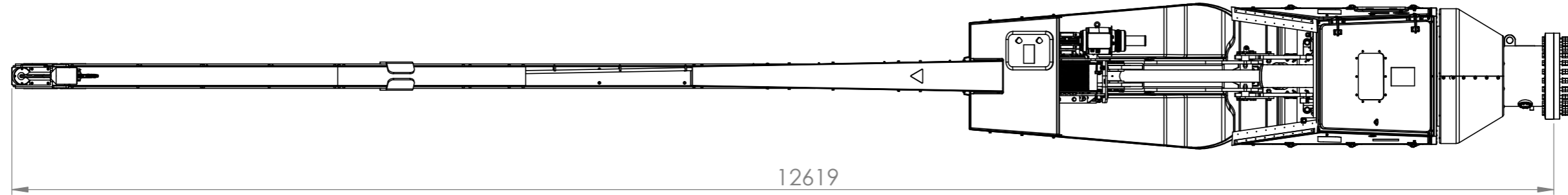
Part no: 9300001001

Scale: 1:40



Page: 2 of 5

GA. Drawing
Higher working position



THE INFORMATION CONTAINED IN THIS DRAWING IS THE SOLE PROPERTY OF SEASIGHT-Davit. ANY REPRODUCTION IN PART OR AS A WHOLE WITHOUT THE WRITTEN PERMISSION OF SEASIGHT-Davit IS PROHIBITED.

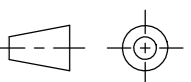
Designer: SIFA
Date: 2024-05-02
Version no: 00
Description: Hercules 10,0-10



Frejasvej 4
DK - 6950 Ringkøbing
www.seasight-davits.com

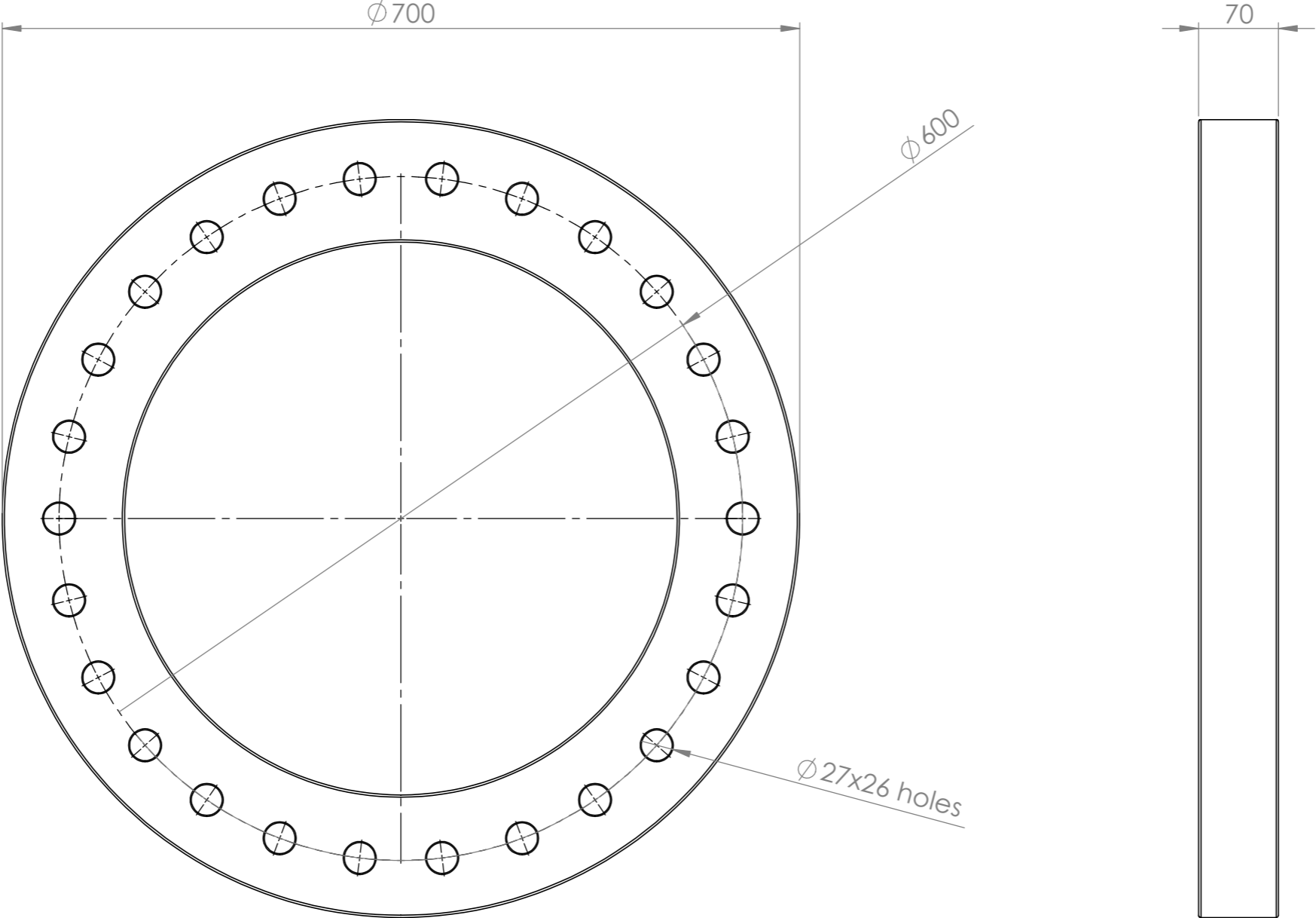
Part no: 9300001001

Scale: 1:40



Page: 3 of 5

GA. Drawing Bottom flange pedestal



For Concrete Base Use Different Flange drw.nr. 6010004511

THE INFORMATION CONTAINED IN THIS DRAWING IS THE SOLE PROPERTY OF SEASIGHT-Davit. ANY REPRODUCTION IN PART OR AS A WHOLE WITHOUT THE WRITTEN PERMISSION OF SEASIGHT-Davit IS PROHIBITED.

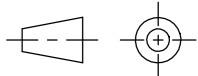
Designer: SIFA
Date: 2024-05-02
Version no:
Description: Hercules 10,0-10



Frejasvej 4
 DK - 6950 Ringkøbing
www.seasight-davits.com

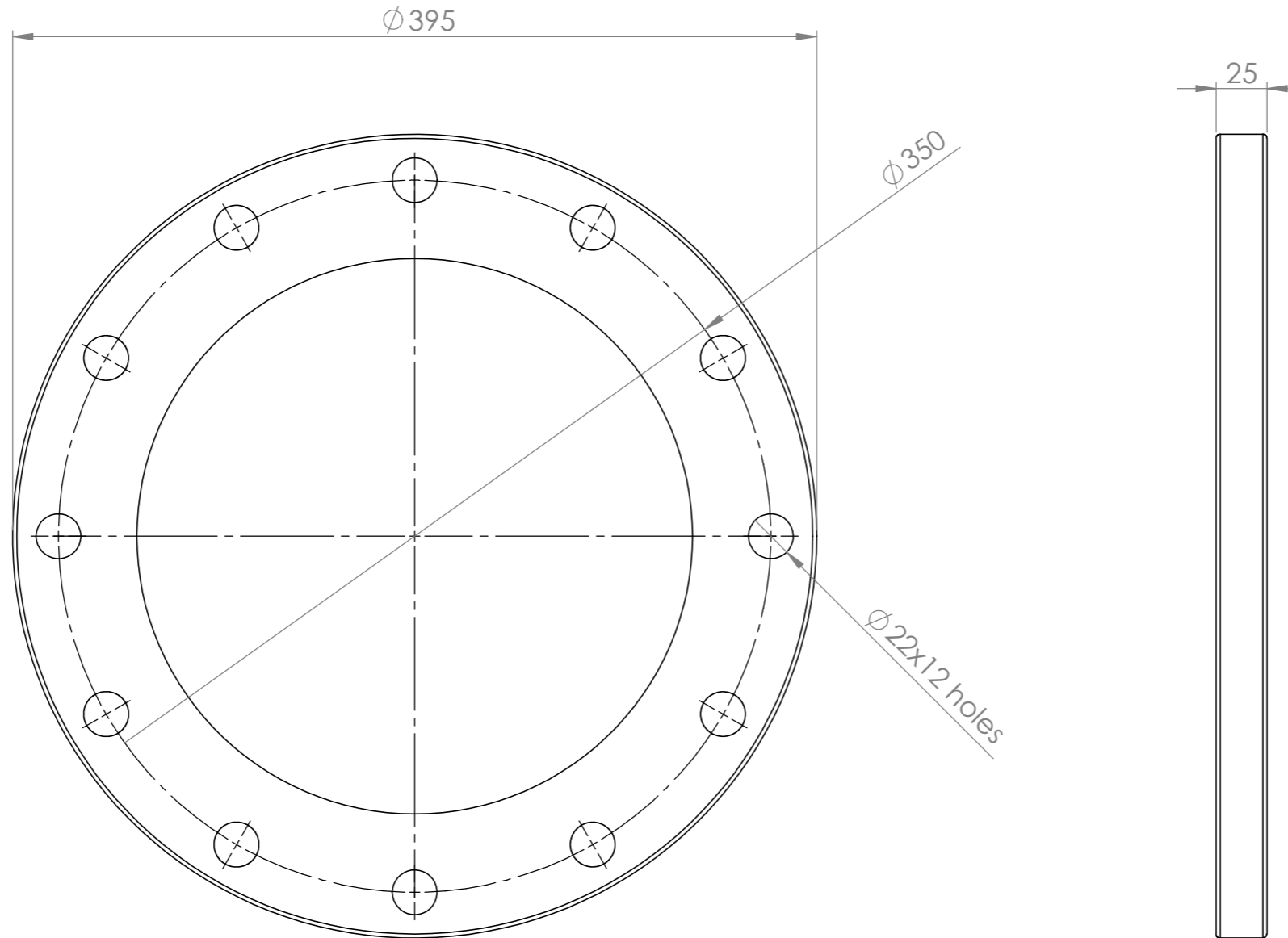
Part no: 9300001001

Scale: 1:5



Page: 4 of 5

GA. Drawing Bottom flange pedestal



THE INFORMATION CONTAINED IN THIS DRAWING IS THE SOLE PROPERTY OF SEASIGHT-Davit. ANY REPRODUCTION IN PART OR AS A WHOLE WITHOUT THE WRITTEN PERMISSION OF SEASIGHT-Davit IS PROHIBITED.

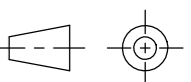
Designer: CBC
 Date: 2019-09-23
 Version no: 00
 Description: Plane flange



Frejasvej 4
 DK - 6950 Ringkøbing
 www.seasight-davits.com

Part no: 7301002998

Scale: 1:3



Page: 5 of 5