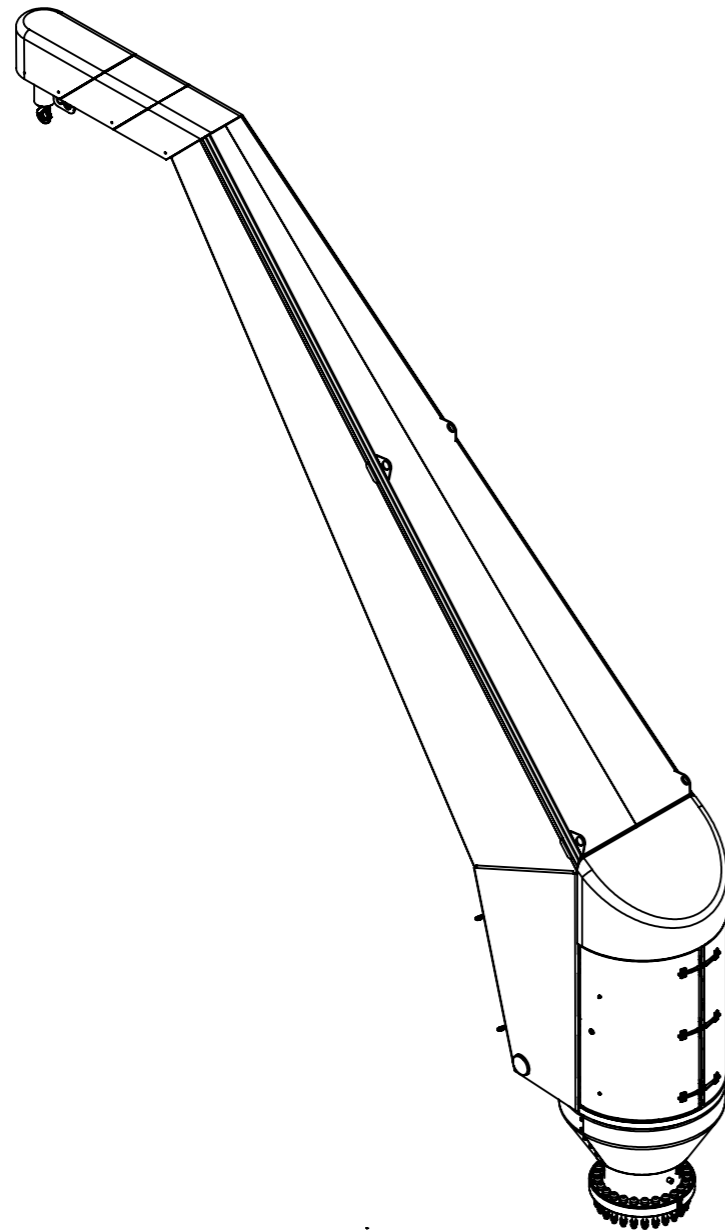


Single wire galvanized steel and rotation free.

Offshore Counterweight: The Seasight Davits Offshore Counterweight protects the hoist wire at a higher level.

Forged Stainless steel crane hook with a locking device at throat opening.

3 ton static lifting points, can be used in the construction phase and as rescue point. Lifting points have stainless steel inserts.



Crane outreach: Can be delivered as: 4,5m/ 5,0m / 5,5m

Standard operation conditions:

- Temperature interval: -20°C to 45°C
- Significant wave height: 2,0m
- Wind speed limit: 15m/s, there can be limitations to weight and size. SD can supply a wind force diagram with specific limits.

The crane is coated in color light gray RAL 7035. The crane is hot dip galvanized and coated to CX level on the outside according EN 12944-9 and C3 on the inside. Unpainted metal structures or items are stainless material equivalent to AISI 316

Inside crane: All of the hoisting wire, hoisting motor, control unit, remote control, sensors are all protected inside the crane house.

Electrically driven slewing gear. The slewing is self locking

Boltheads and nuts are protected by plastic caps for additional weather protection

Cable access: All cables for the crane are connected through the bottom centre pipe, placed in the middle of the pedestal so there are no cables on the outside. This secures full protection of all cables.

THE INFORMATION CONTAINED IN THIS DRAWING IS THE SOLE PROPERTY OF SEASIGHT-Davits. ANY REPRODUCTION IN PART OR AS A WHOLE WITHOUT THE WRITTEN PERMISSION OF SEASIGHT-Davits IS PROHIBITED.

Designer: LAAR

Date: 18-04-2024

Version no:

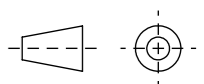
Description: Modular Crane: Min 4,5m - max 5,5m

SEASIGHT
DAVITS

Frejasvej 4
DK - 6950 Ringkøbing
www.seasight-davits.com

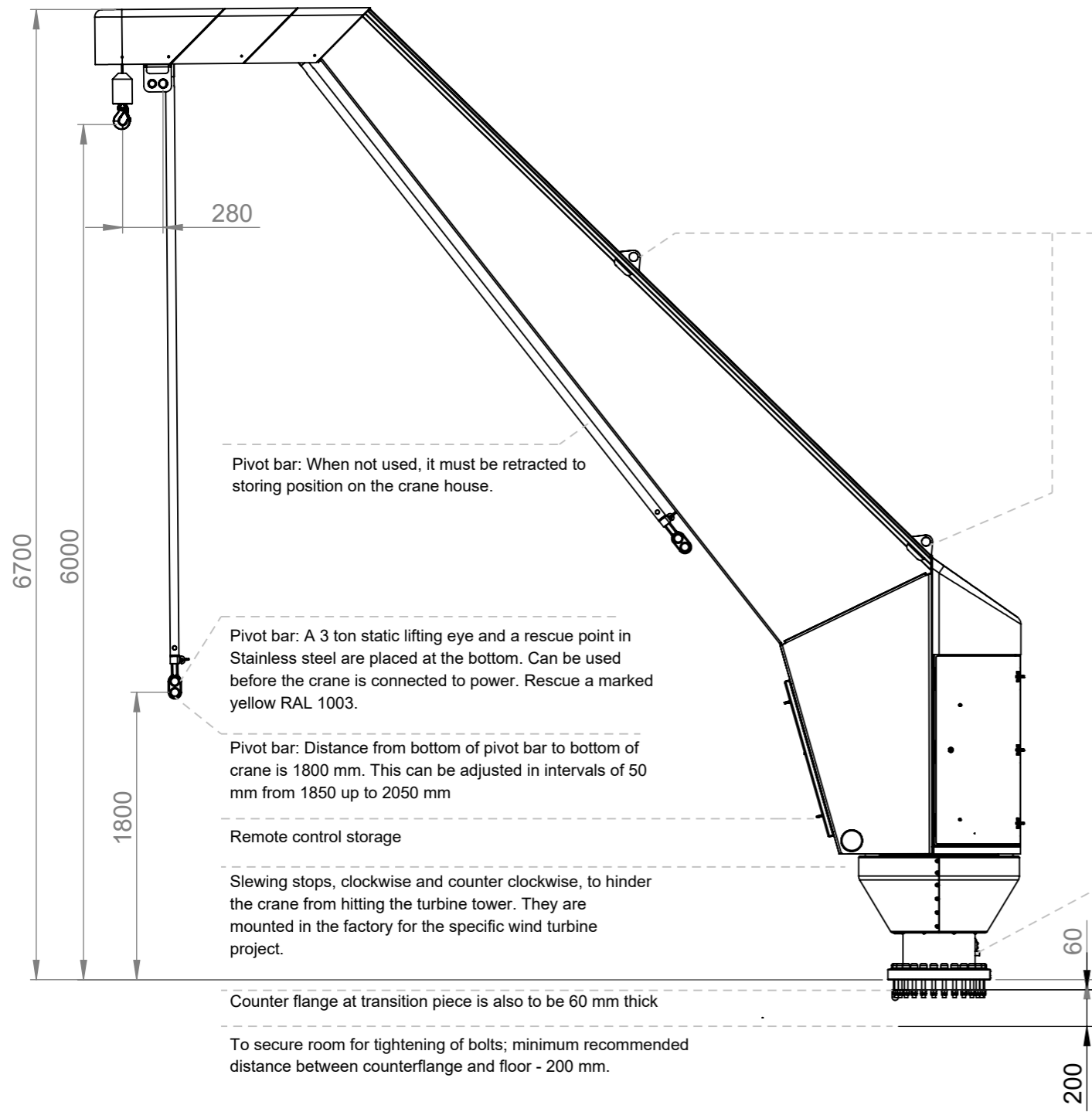
Part no: 930000550

Scale: 1:35

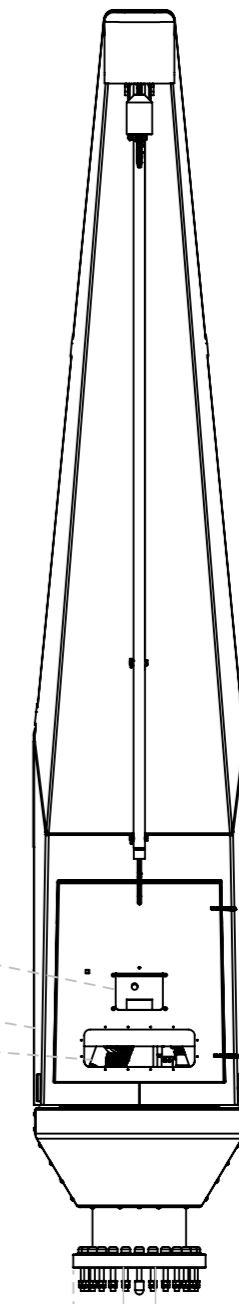


Page: 1 of 5

INSTALLATION



Lifting points: For installation of the crane it has four lifting points. For fast and easy installation Seasight Davits can supply a perfectly COG balanced slingset



Inspection window to crane control.

Manual handle to lower Pivot bar.

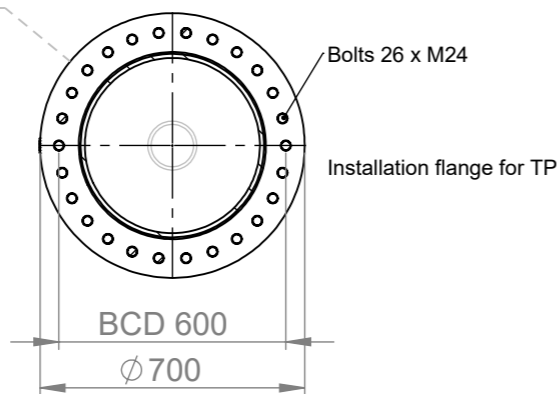
Hatch with remote control inside.

Earthing boss in stainless steel, for earth connection. Inside thread of M12

Underside of flange is unpainted but hot dip galvanized.

Cable access through bottom centre pipe. Supply cable is as standard 23 m long measured from bottom flange.

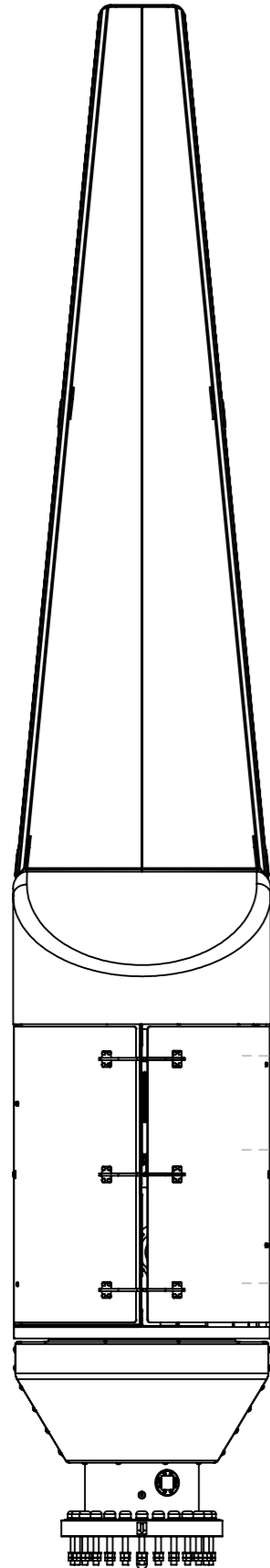
Topside of interface flange is coated, but hot dip galvanized where washers are to be installed.



THE INFORMATION CONTAINED IN THIS DRAWING IS THE SOLE PROPERTY OF SEASIGHT-Davits. ANY REPRODUCTION IN PART OR AS A WHOLE WITHOUT THE WRITTEN PERMISSION OF SEASIGHT-Davits IS PROHIBITED.

Designer: LAAR	SEASIGHT DAVITS	Frejasvej 4 DK - 6950 Ringkøbing www.seasight-davits.com	Scale: 1:40
Date: 18-04-2024			
Version no:			Page: 2 of 5
Description: Modular Crane: Min 4,5m - max 5,5m		Part no: 9300000550	

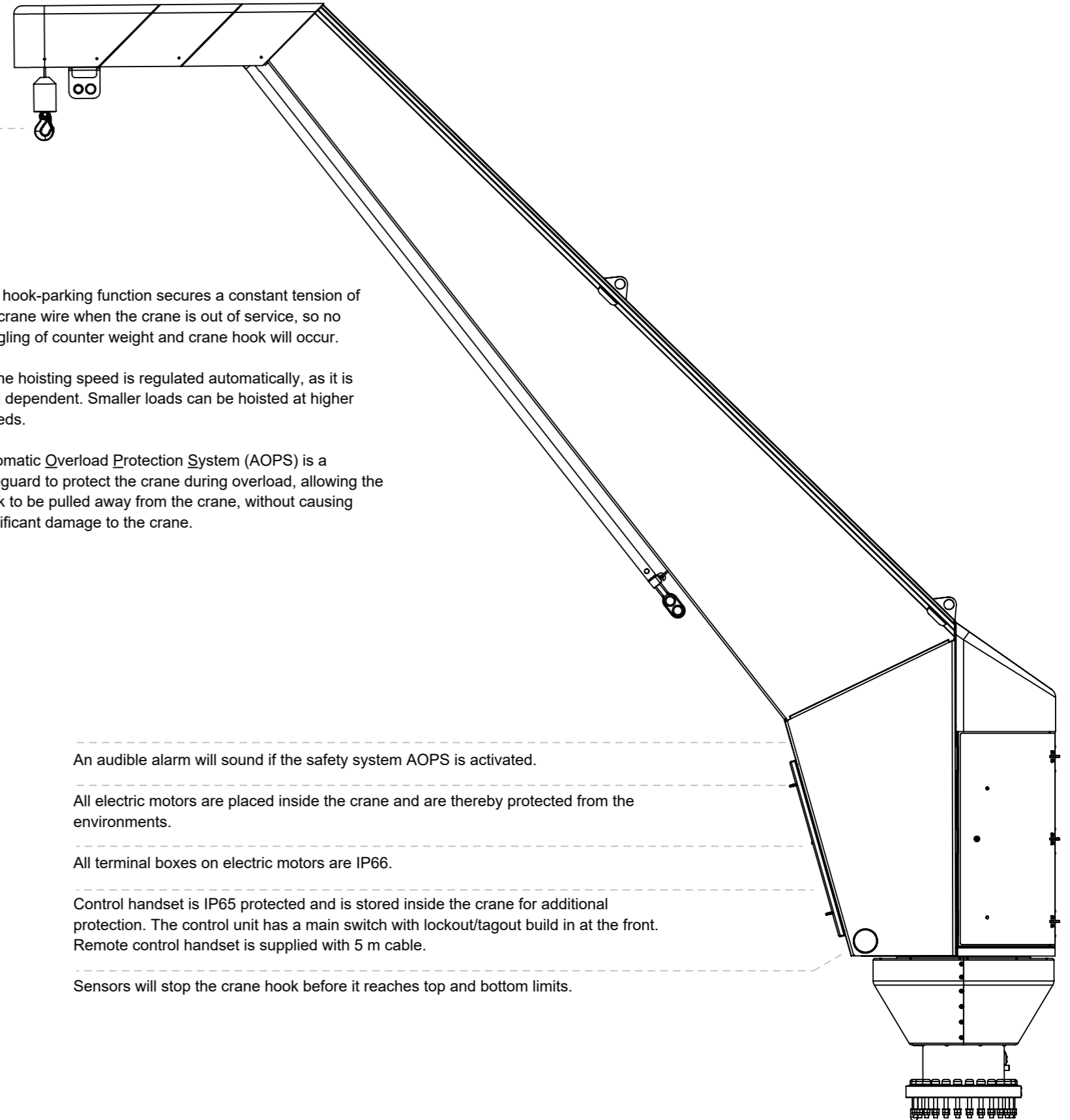
CRANE CONTROL



Slack rope sensor will stop the lowering function of the winch if wire slack is detected.

For emergency load lowering (ELL) there is a handle inside crane, this will work without power to the crane, the Lowering speed is controlled by a centrifugal brake. Activation is "hold to run" type.

Emergency stop button located on side of crane house.



The hook-parking function secures a constant tension of the crane wire when the crane is out of service, so no dangling of counter weight and crane hook will occur.

Crane hoisting speed is regulated automatically, as it is load dependent. Smaller loads can be hoisted at higher speeds.

Automatic Overload Protection System (AOPS) is a safeguard to protect the crane during overload, allowing the hook to be pulled away from the crane, without causing significant damage to the crane.

An audible alarm will sound if the safety system AOPS is activated.

All electric motors are placed inside the crane and are thereby protected from the environments.

All terminal boxes on electric motors are IP66.

Control handset is IP65 protected and is stored inside the crane for additional protection. The control unit has a main switch with lockout/tagout build in at the front. Remote control handset is supplied with 5 m cable.

Sensors will stop the crane hook before it reaches top and bottom limits.

THE INFORMATION CONTAINED IN THIS DRAWING IS THE SOLE PROPERTY OF SEASIGHT-DAVIT. ANY REPRODUCTION IN PART OR AS A WHOLE WITHOUT THE WRITTEN PERMISSION OF SEASIGHT-DAVIT IS PROHIBITED.

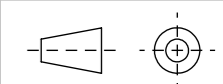
Designer: LAAR
 Date: 18-04-2024
 Version no:
 Description: Modular Crane: Min 4,5m - max 5,5m



Frejasvej 4
 DK - 6950 Ringkøbing
 www.seasight-davits.com

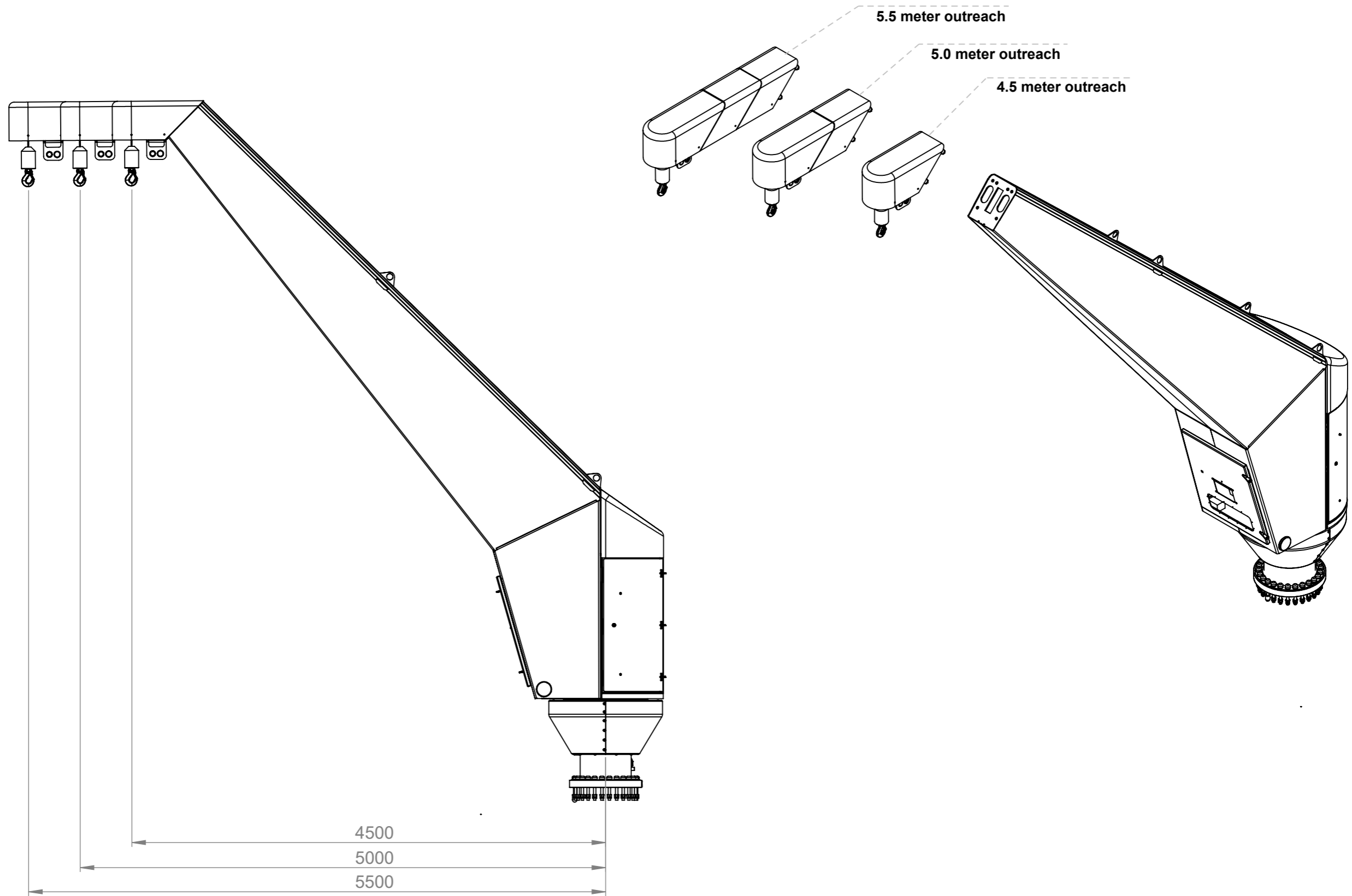
Part no: 9300000550

Scale: 1:30



Page: 3 of 5

OUTREACH



THE INFORMATION CONTAINED IN THIS DRAWING IS THE SOLE PROPERTY OF SEASIGHT-Davits. ANY REPRODUCTION IN PART OR AS A WHOLE WITHOUT THE WRITTEN PERMISSION OF SEASIGHT-Davits IS PROHIBITED.

Designer: LAAR		Frejasvej 4 DK - 6950 Ringkøbing www.seasight-davits.com	Scale: 1:40
Date: 18-04-2024			
Version no:			
Description: Modular Crane: Min 4,5m - max 5,5m		Part no: 9300000550	

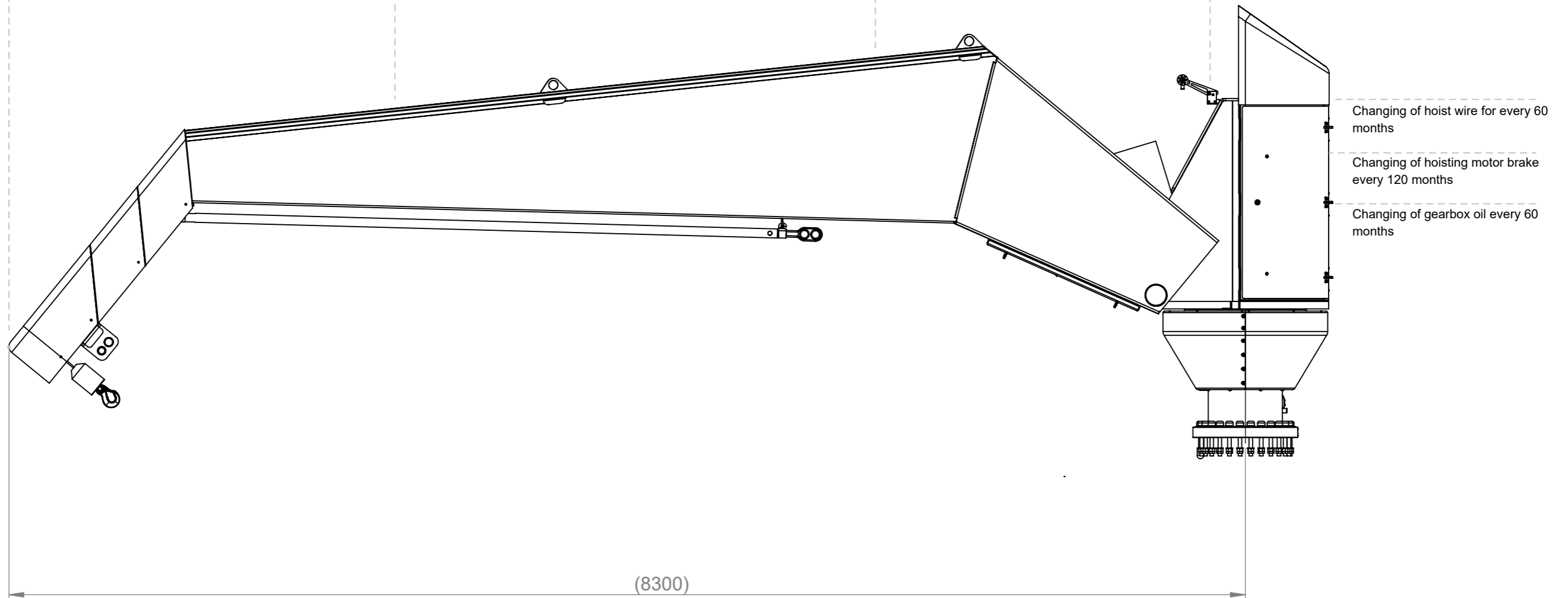
CRANE IN SERVICE POSITION

Easy access to inspect parts or exchange a loadcell or wire sheave when standing on the TP

For service of parts high-up in the jibhead, the crane house can be laid down.
Ladders and scaffoldings are not needed

SD can supply special "tipping tool" to lay down the crane house by the use of the winch motor

Anchor points: Inside the crane there are two yellow marked anchor points for service work. They are designed according to both EN 50308 and ANSI/ASSE Z359.2 and rated for two persons



It must be checked that there is enough space on the transition piece to lay down the crane for service.
Seasight Davits can supply 3D step file of the crane in service position.

THE INFORMATION CONTAINED IN THIS DRAWING IS THE SOLE PROPERTY OF SEASIGHT-DavIT. ANY REPRODUCTION IN PART OR AS A WHOLE WITHOUT THE WRITTEN PERMISSION OF SEASIGHT-DavIT IS PROHIBITED.

Designer: LAAR		Frejasvej 4 DK - 6950 Ringkøbing www.seasight-davits.com	Scale: 1:30
Date: 18-04-2024			
Version no:			
Description: Modular Crane: Min 4,5m - max 5,5m	Part no: 9300000550		Page: 5 of 5