

Crane outreach: Can be delivered as 7,0m / 7,5m / 8,0m

Standard operation conditions:

- Temperature interval: -20°C to 45°C
- Significant wave height 2,0m
- Wind speed limit: 15m/s, there can be limitations to weight and size. SD can supply wind force diagram with specific limits.

Single wire galvanized steel and rotation free.

Offshore counterweight: The Seasight Davits Offshore Counterweight protects the hoist wire at a higher level

Forged Stainless steel crane hook with locking device at throat opening.

3 ton static lifting points, can be used in the construction phase and as rescue point. Lifting points have stainless steel inserts

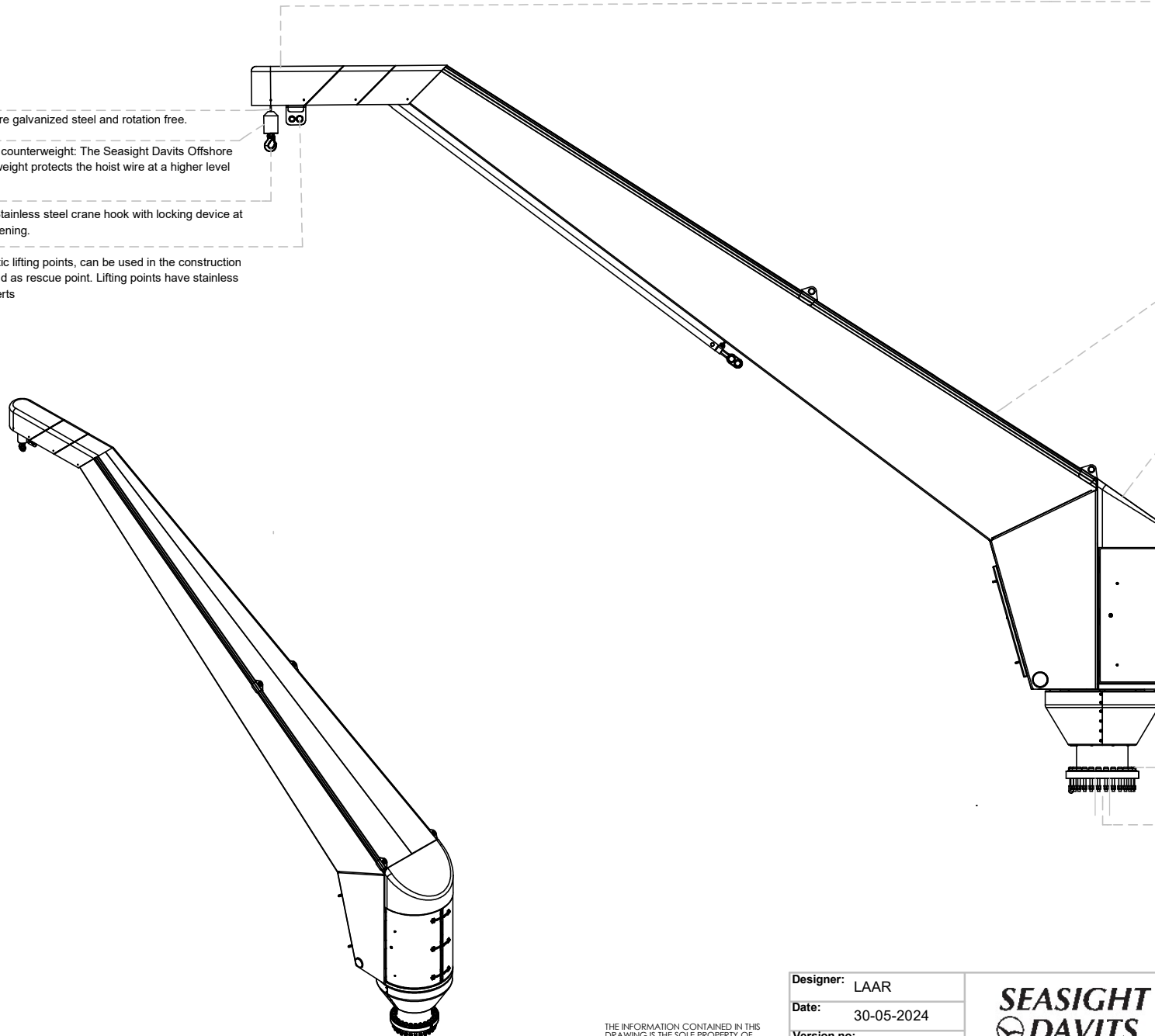
Crane is coated in colour light gray RAL 7035. The crane is hot dip galvanized and coated to CX level on the outside according to EN12944-9 and C3 on the inside.  
Unpainted metal structures or items are stainless steel material equivalent to AISI 316

Inside crane: All of the hoisting wire, hoisting motor, control units, remote control, sensors are all protected inside the crane house.

Electrically driven slewing gear. The slewing gear is self locking

Boltheads and nuts are protected by plastic caps for additional weather protection.

Cable access: All cables for the crane are connected through the bottom centre pipe, placed in the middle of the pedestal so there are no cables on the outside. This secures full protection of all cables.



THE INFORMATION CONTAINED IN THIS DRAWING IS THE SOLE PROPERTY OF SEASIGHT-Davits. ANY REPRODUCTION IN PART OR AS A WHOLE WITHOUT THE WRITTEN PERMISSION OF SEASIGHT-Davits IS PROHIBITED.

Designer: LAAR  
Date: 30-05-2024  
Version no:

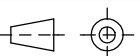
**SEASIGHT**  
**DAVITS**

Frejasvej 4  
DK - 6950 Ringkøbing  
[www.seasight-davits.com](http://www.seasight-davits.com)

Description: TITAN X: Min7,0m - max 8,0m

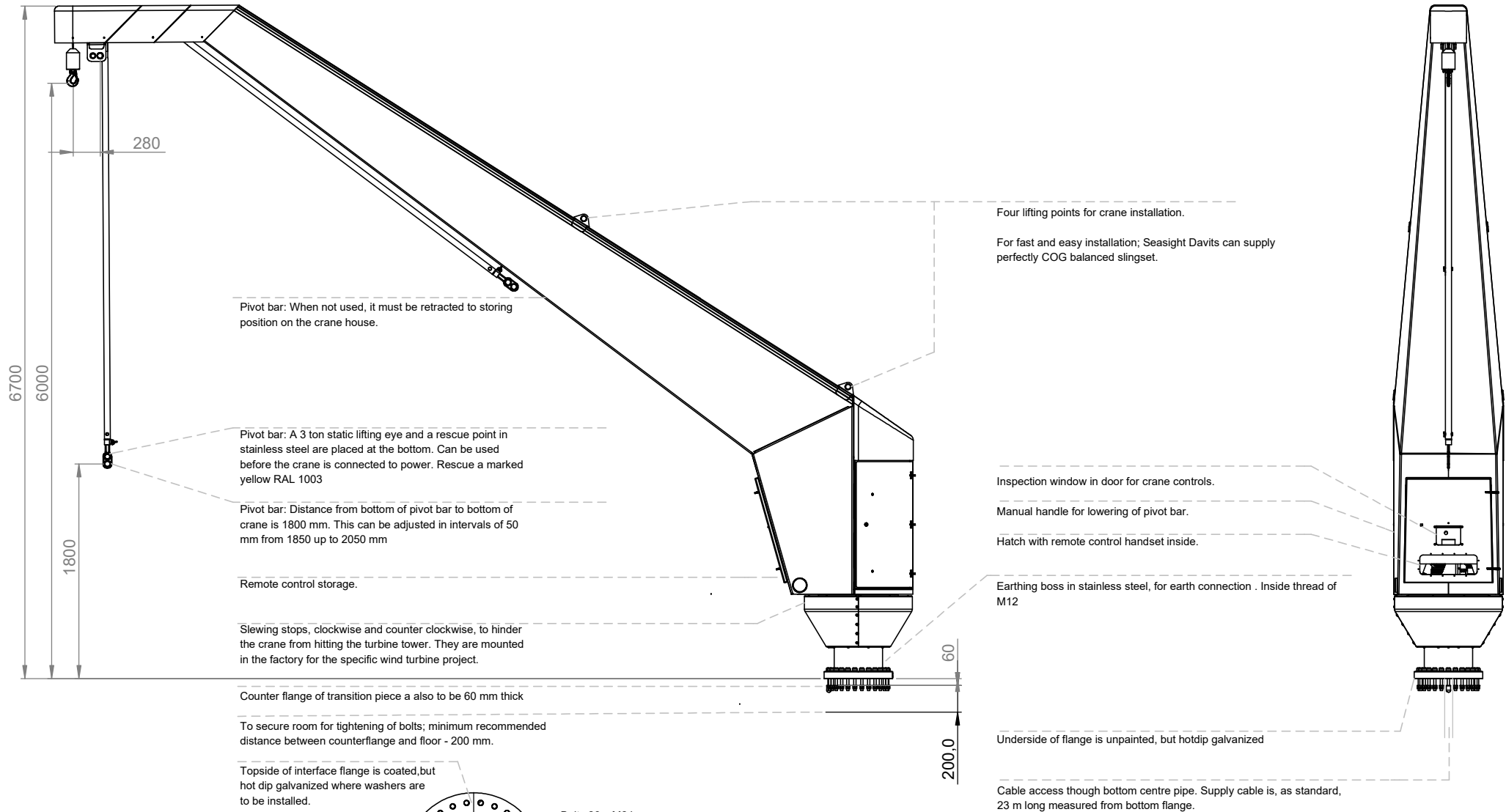
Part no: 930000552

Scale: 1:35



Page: 1 of 6

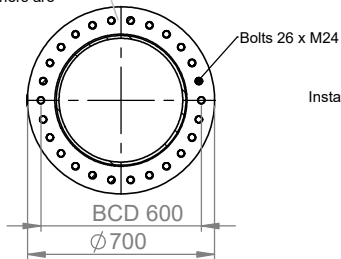
# INSTALLATION



Counter flange of transition piece a also to be 60 mm thick

To secure room for tightening of bolts; minimum recommended distance between counterflange and floor - 200 mm.

Topside of interface flange is coated, but hot dip galvanized where washers are to be installed.



Installation flange for TP

THE INFORMATION CONTAINED IN THIS DRAWING IS THE SOLE PROPERTY OF SEASIGHT-Davits. ANY REPRODUCTION IN PART OR AS A WHOLE WITHOUT THE WRITTEN PERMISSION OF SEASIGHT-Davits IS PROHIBITED.

Designer: LAAR  
Date: 30-05-2024  
Version no:

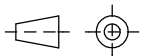
**SEASIGHT**  
**DAVITS**

Frejasvej 4  
DK - 6950 Ringkøbing  
www.seasight-davits.com

Description: TITAN X: Min7,0m - max 8,0m

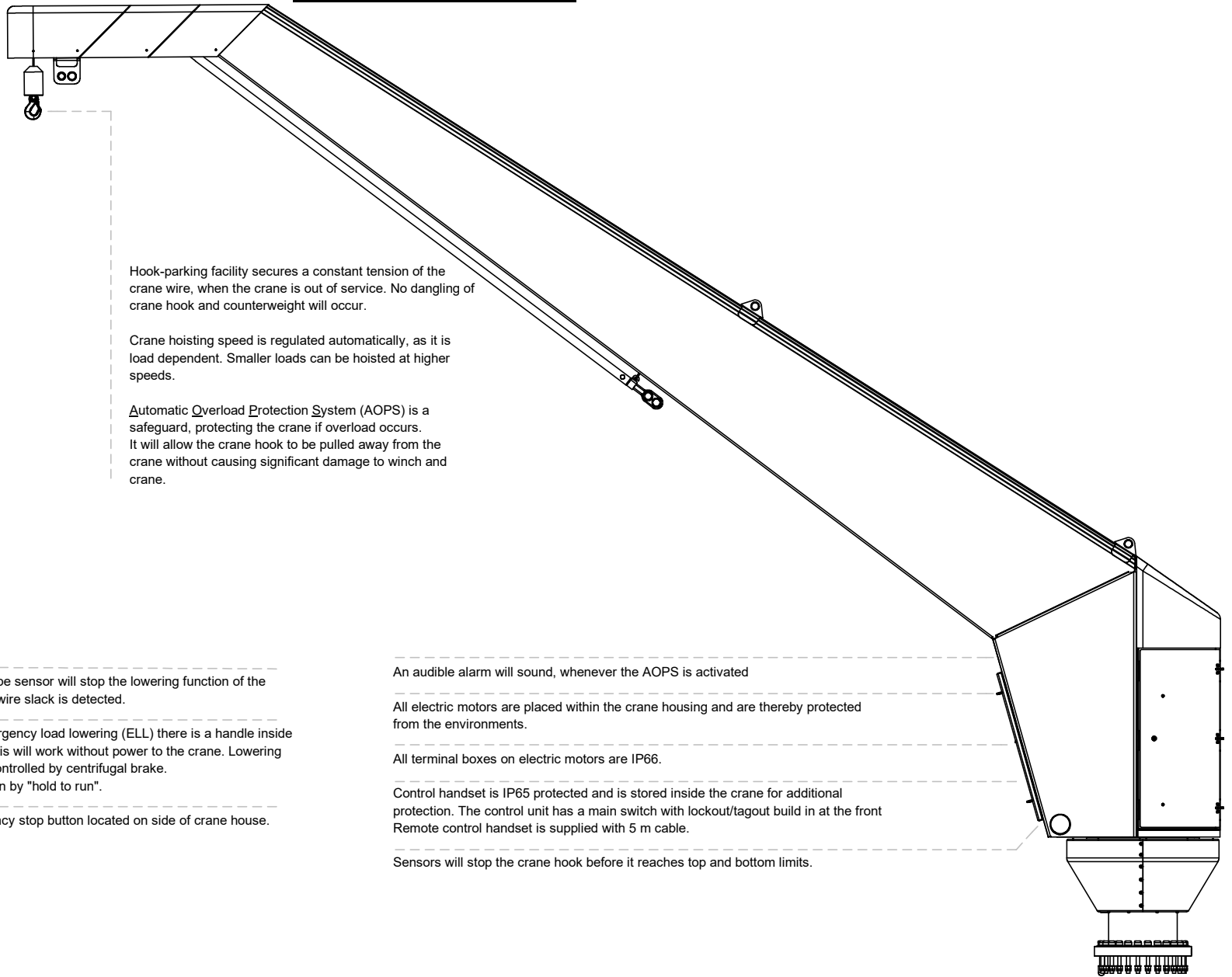
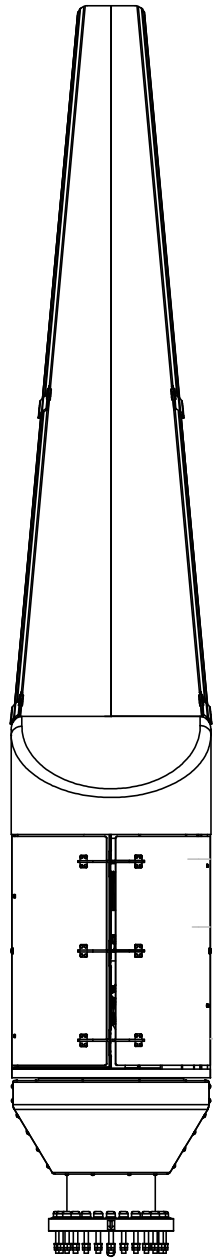
Part no: 930000552

Scale: 1:40



Page: 2 of 6

# CRANE CONTROL



Hook-parking facility secures a constant tension of the crane wire, when the crane is out of service. No dangling of crane hook and counterweight will occur.

Crane hoisting speed is regulated automatically, as it is load dependent. Smaller loads can be hoisted at higher speeds.

Automatic Overload Protection System (AOPS) is a safeguard, protecting the crane if overload occurs. It will allow the crane hook to be pulled away from the crane without causing significant damage to winch and crane.

Slack rope sensor will stop the lowering function of the winch if wire slack is detected.

For emergency load lowering (ELL) there is a handle inside crane, this will work without power to the crane. Lowering speed controlled by centrifugal brake. Activation by "hold to run".

Emergency stop button located on side of crane house.

An audible alarm will sound, whenever the AOPS is activated

All electric motors are placed within the crane housing and are thereby protected from the environments.

All terminal boxes on electric motors are IP66.

Control handset is IP65 protected and is stored inside the crane for additional protection. The control unit has a main switch with lockout/tagout build in at the front Remote control handset is supplied with 5 m cable.

Sensors will stop the crane hook before it reaches top and bottom limits.

THE INFORMATION CONTAINED IN THIS DRAWING IS THE SOLE PROPERTY OF SEASIGHT-Davitt. ANY REPRODUCTION IN PART OR AS A WHOLE WITHOUT THE WRITTEN PERMISSION OF SEASIGHT-Davitt IS PROHIBITED.

Designer: LAAR  
Date: 30-05-2024  
Version no:

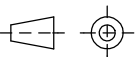


Frejasvej 4  
DK - 6950 Ringkøbing  
www.seasight-davits.com

Description: TITAN X: Min7,0m - max 8,0m

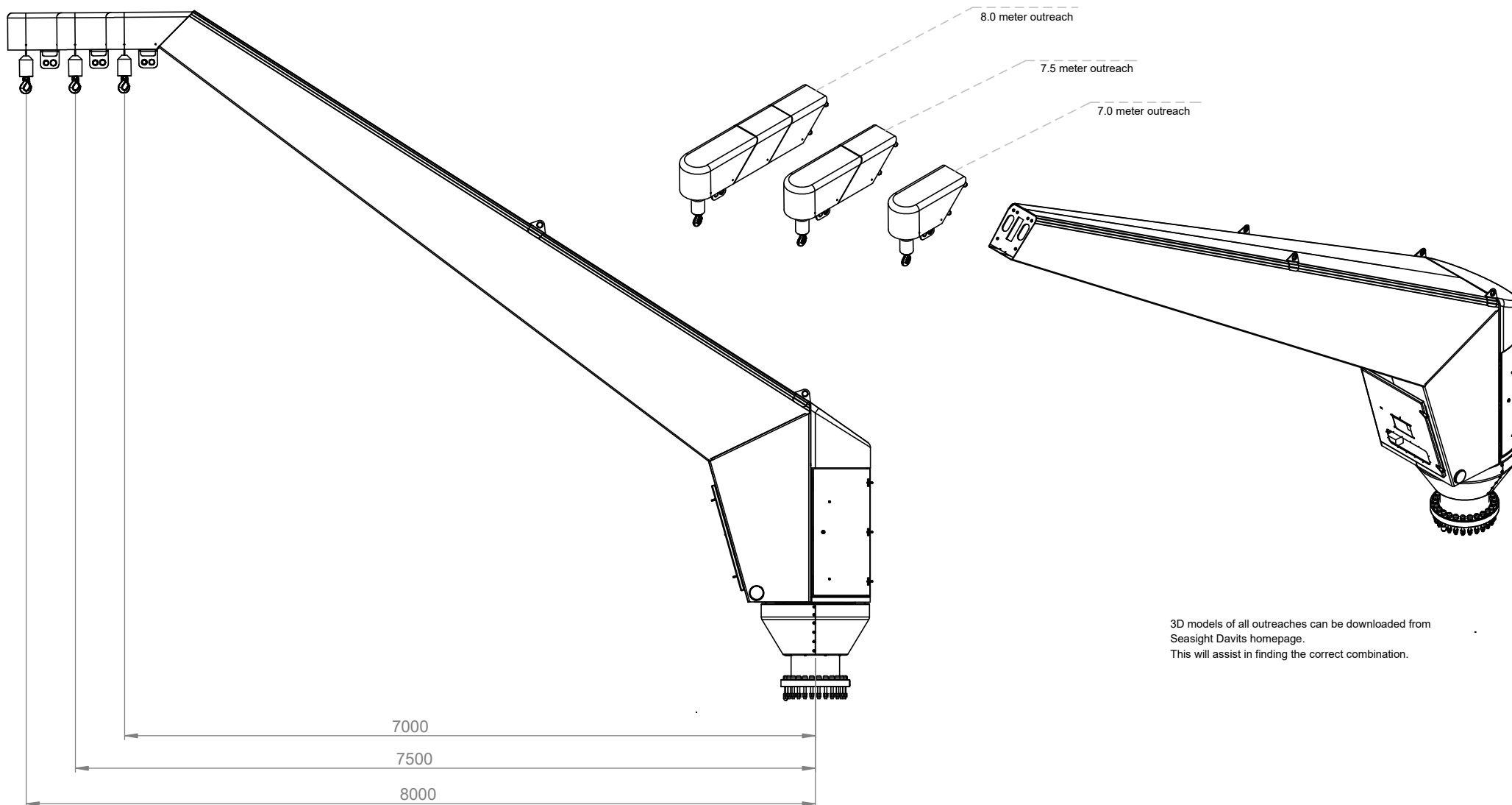
Part no: 930000552

Scale: 1:30



Page: 3 of 6

# OUTREACH



3D models of all outreaches can be downloaded from Seasight Davits homepage. This will assist in finding the correct combination.

THE INFORMATION CONTAINED IN THIS DRAWING IS THE SOLE PROPERTY OF SEASIGHT-Davit. ANY REPRODUCTION IN PART OR AS A WHOLE WITHOUT THE WRITTEN PERMISSION OF SEASIGHT-Davit IS PROHIBITED.

Designer: LAAR		Frejasvej 4 DK - 6950 Ringkøbing <a href="http://www.seasight-davits.com">www.seasight-davits.com</a>	Scale: 1:40
Date: 30-05-2024			
Version no:			
Description: TITAN X: Min7,0m - max 8,0m	Part no: 9300000552		

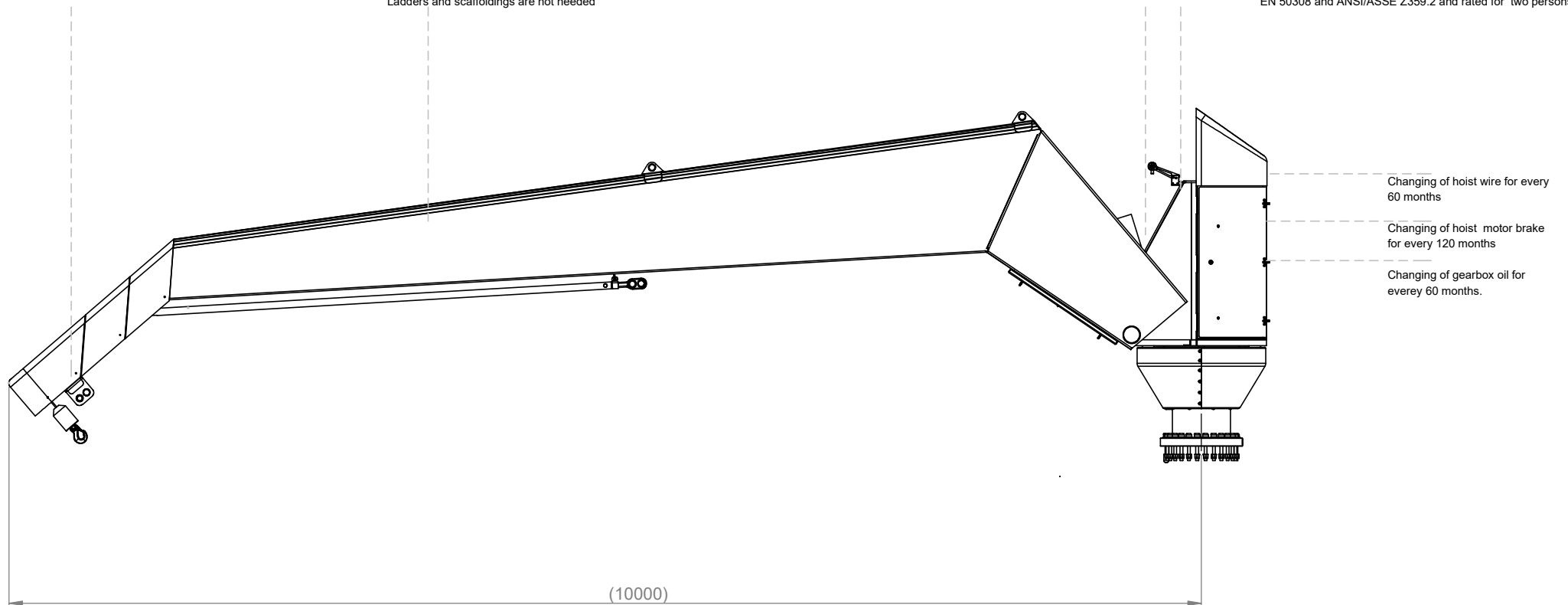
# CRANE IN SERVICE POSITION

Easy access to inspect parts or exchange a loadcell or wire sheave when standing on the TP

For service of parts high-up in the jibhead, the crane house can be laid down.  
Ladders and scaffoldings are not needed

SD can supply special "tipping tool" to lay down the crane house by using the winch motor

Anchor points: Inside the crane are two yellow marked anchor points for service work. They are designed according to both EN 50308 and ANSI/ASSE Z359.2 and rated for two persons.



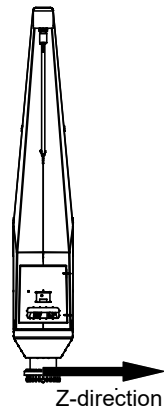
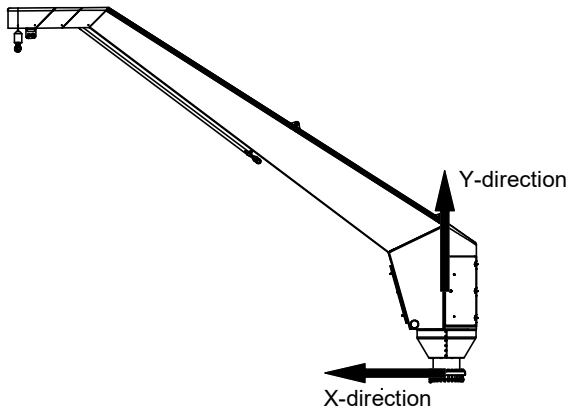
It must be checked that there is enough space on the transition piece to lay down the crane for service.  
Seasight Davits can supply 3D step file of the crane in service position

THE INFORMATION CONTAINED IN THIS DRAWING IS THE SOLE PROPERTY OF SEASIGHT-Davitt. ANY REPRODUCTION IN PART OR AS A WHOLE WITHOUT THE WRITTEN PERMISSION OF SEASIGHT-Davitt IS PROHIBITED.

Designer: LAAR	<b>SEASIGHT DAVITS</b>	Frejasvej 4 DK - 6950 Ringkøbing <a href="http://www.seasight-davits.com">www.seasight-davits.com</a>	Scale: 1:30
Date: 30-05-2024			
Version no:			
Description: TITAN X: Min7,0m - max 8,0m	Part no: 9300000552		

# Foundation Loads

Max possible loads acc. EN13852-3		Outreach 8,0 m			Lifting height 20m Waveheight 2,0m		All loads excl. Safety factors All loads incl. dynamic loads	
1000 SWL					2000 SWL			
	A2- Off-board lift, load steadily hoisted or load suspended, without in-service wind	A3- Off-board lift, lifting a load between the offshore installation and the load supporting deck, without in-service wind.	C1 - Out-of-service condition in any position , with out-of-service wind and out-of-service installation inclination and accelerations.	C7- In-service condition during entanglement and sequence of failure Loads	A2- Off-board lift, load steadily hoisted or load suspended, without in-service wind	A3- Off-board lift, lifting a load between the offshore installation and the load supporting deck, without in-service wind.	C1 - Out-of-service condition in any position , with out-of-service wind and out-of-service installation inclination and accelerations.	C7- In-service condition during entanglement and sequence of failure Loads
Fx (kN)	7,7	11,7	42,1	0	12,4	19,4	42,1	0
Fy (kN)	-51,1	-66,1	-34,3	-107,2	-64,4	-88,2	-34,3	-107,2
Fz (kN)	7,7	11,7	55,4	0	12,4	19,4	55,4	0
Mx (kNm)	35	59	219,2	0	63	105	219,2	0
My (T) (kNm)	49	69	155,2	0	97	131	155,2	0
Mz (Mb) (kNm)	196,4	315,9	152,8	677,1	329,3	537,7	152,8	677,1



Foundation loads referring to the centre of the pedestal and the bottomside of the crane flange

THE INFORMATION CONTAINED IN THIS DRAWING IS THE SOLE PROPERTY OF SEASIGHT-Davits. ANY REPRODUCTION IN PART OR AS A WHOLE WITHOUT THE WRITTEN PERMISSION OF SEASIGHT-Davits IS PROHIBITED.

Designer:	LAAR	<b>SEASIGHT DAVITS</b>	Frejasvej 4 DK - 6950 Ringkøbing www.seasight-davits.com	Scale:	1:100
Date:	30-05-2024				
Version no:					
Description:	TITAN X: Min7,0m - max 8,0m	Part no:	9300000552	Page:	6 of 6