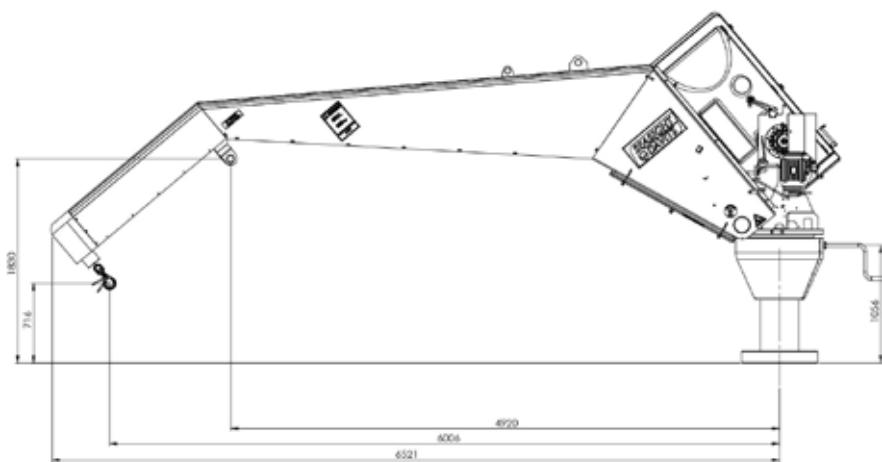
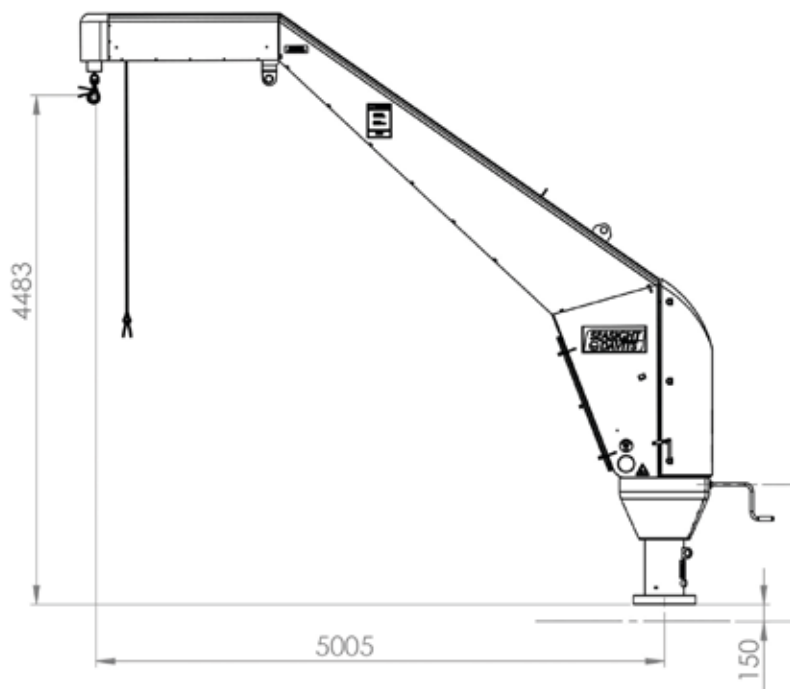


Model BM5,0-10

Plug and Play





Technical Range

Design life	25 years
OSWL range	1000 kg / Up to 3000 kg
Outreach range	5,0 meters
Hoisting travel	26 meters
Hoisting speed	10 m/min. at Speed 1, up to 40 m/min. at Speed 2
Adjustable slewing angle	355° ltd
Slewing speed	Manual slewing
Slack rope protection	Included
Total weight	Approx. 2150 kg
Electrical system	
Power supply	3x400VAC/50 Hz
Power consumption	Approx. 6 kW
Protection	3x13 A. circuit breaker in starter cabinet.
Working conditions	
Wind speed	15m/sec
Sea state	1000 kg. at up to 2 m. significant wave height.
Temperature	-10/+40° C
General Operation	Plug and Play solution with integrated starter cabinet and remote control ready for use.
Safety systems	AOPS, HOPS and MOPS
Surface Treatment	Hot galvanized according to Corrosion Class C5M according to ISO:12944-5. Interior of crane house is treated with extra anti condensation/corrosion treatment.
Approvals	CE marked and according to Machinery Directive Class, or other approvals on request.
Other features	
Down bendable jib	The down bendable jib gives easier access to the lifting point and key components from deck level.
Options	
External lifting arrangement	The lifting arrangement, EX-BM0001-30, can be mounted onto the crane, making it possible to lift 3000 kg at 1 m. significant wave height.



Beddingsvej 2
DK-6960 Hvide Sande
Denmark

Phone: +45 3173 0073
E-mail: info@seasight-davits.com
Web: seasight-davits.com
CVR: DK33879253