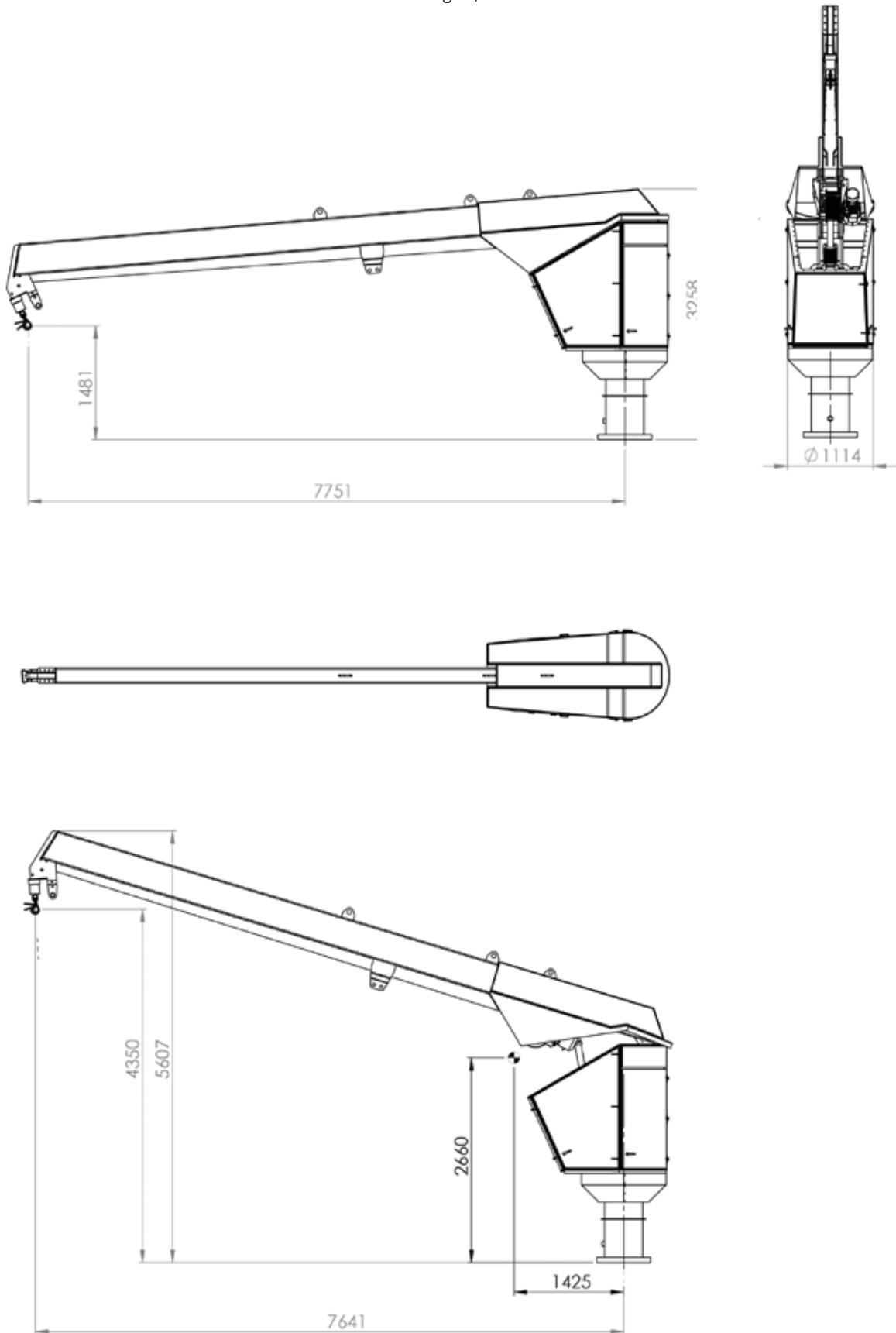


# Model BME

## Plug and Play



Outreach range 4,0 - 10 meters



# Technical Range

Design life	25 years
OSWL range	1000 – 2000 kg
Outreach range	4,0 – 10 meters
Hoisting travel	25 – 35 meters
Hoisting speed	10 m/min. at Speed 1, up to 40 m/min. at Speed 2
Adjustable slewing angle	355° ltd
Slewing speed	Electrical slewing with 0,5 – 2 rpm. Adjustable.
Slack rope protection	Included
Luffing for service	Jib can be luffed down for service. Full stroke 34 mm/min.
Total weight	Approx. 3800 – 4400 kg
<b>Electrical system</b>	
Power supply	3x400VAC/50 Hz 3x690VAC/50 Hz possible via transformer
Protection	3x32 A. circuit breaker with a C or K characteristic.
Power consumption hoisting	Approx. 6 kW at 1000 kg. Otherwise depending on lifting capacity.
Power consumption slewing	Approx. 2,2kW electrical motor with still stand heating drives a planetary gearbox with E-brake motor.
<b>Working conditions</b>	
Wind speed	15m/sec
Sea state	1000 kg. at up to 2 m. significant wave height.
Temperature	-10/+40° C
<b>General Operation</b>	Plug and Play solution with integrated starter cabinet and remote control ready for use.
<b>Safety systems</b>	AOPS, HOPS and MOPS
<b>Surface Treatment</b>	Hot galvanized according to Corrosion Class C5M according to ISO:12944-5.  Interior of crane house is treated with extra anti condensation/corrosion treatment.
<b>Service systems</b>	Electrical down bendable jib gives easier access to the lifting point and key components from deck level.
<b>Approvals</b>	CE marked and according to Machinery Directive Class, or other approvals on request.
<b>Options</b>	
External lifting arrangement	The lifting arrangement, EX-BM001-30, can be mounted onto the crane, making it possible to lift 3000 kg at 1 m. significant wave height.



Beddingsvej 2  
DK-6960 Hvide Sande  
Denmark

Phone: +45 3173 0073  
E-mail: [info@seasight-davits.com](mailto:info@seasight-davits.com)  
Web: [seasight-davits.com](http://seasight-davits.com)  
CVR: DK33879253